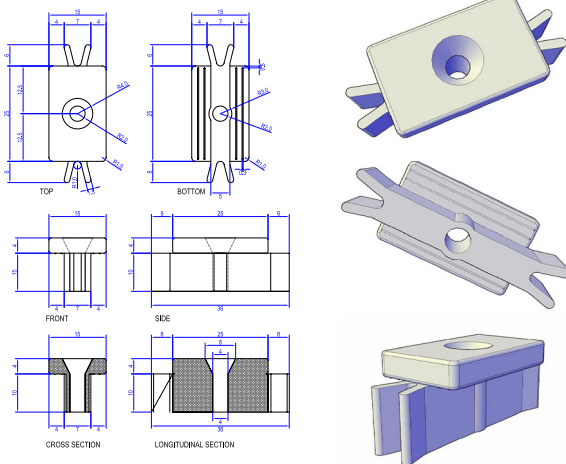


WPC STANDARD CLIP

Used to fix adjacent profiles to each other and to the joist with a 7 mm gap



- 100% Recyclable, Environmentally friendly
- Cost-effective
- Minimal to zero maintenance



Product Family

SIDE CLIP HALF CLIP DOUBLE CLIP SLIM CLIP

Related Products

WPC FLOORING FILLED PROFILE WPC FLOORING HOLLOW PROFILE
 WPC JOIST WPC BIG JOIST
 WPC FASCIA WPC SKIRTING PROFILE
 JOIST CLIP START STOP CLIP
 WPC HOLLOW PROFILE CLOSER CAP

Quality

All our products are produced in quality controlled environment taking into consideration food safety and hygiene standards under certified ISO 9001:2000 & ISO 9001:2008 and GMP quality management system. Our Quality System is regularly audited by third party.



Disclaimer

Consumer Safety is extremely important for Industrium. Therefore all our food-contact materials and articles are produced taking into consideration national and international regulations, and do not transfer their constituents to the food under normal or foreseeable conditions of use. The foregoing data are without engagement and constitute the best of our knowledge; they are reliable if applied correctly and adapted to local conditions and cannot be taken as any guarantee, since the processing at the end-user are beyond our control. The above mentioned guidelines are supplied to assist the buyer in determining the proper use of products. However, because every food supplier's recipes, ingredients, processes and supply chain are unique, these guidelines are not a substitute for product testing. Confirmation of product acceptability under customer's specific conditions of use must be done by the customer.

Properties

Material :PP
 Material composition :99.2% Polypropylene
 0.8% Masterbatch
 Manufacturing Process :Injection Moulding
 Length (mm) :37.00
 Width (mm) :15.00
 Height (mm) :14.00
 Weight (g) :3.10±2%
 Gap Between profiles (mm) :7.00
 Colors :Standard: Brown, Grey
 Customizable

Packaging

Packaging :Plastic Bag
 Pieces per bag :As needed

Ordering Option(s)

Custom Color